

## 1 Pole

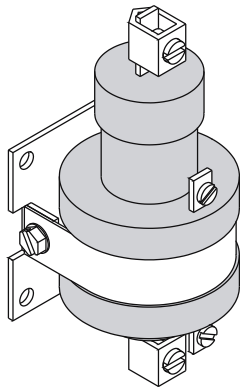


Figure 345

## 2 Pole

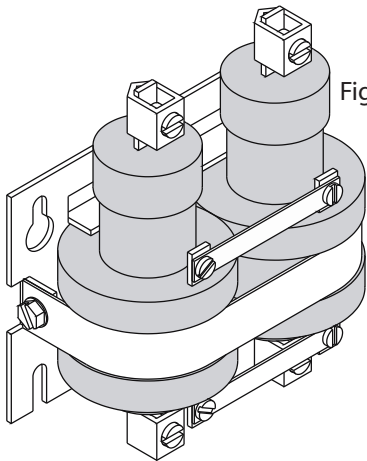


Figure 346

## 3 Pole

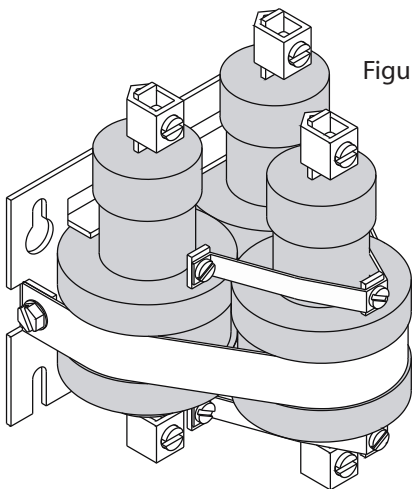


Figure 347

### Standard Relays

#### 35 AMP Relays

Style	Part Number	Coil Voltage
1 Pole Normally Open	<b>1035A120AC</b> 1035A240AC	120 VAC 220VAC
2 Pole Normally Open	<b>2035A120AC</b> 2035A240AC	120 VAC 220 VAC
3 Pole Normally Open	<b>3035A120AC</b> 3035A240AC	120 VAC 220 VAC

#### 60 AMP Relays

Style	Part Number	Coil Voltage
1 Pole Normally Open	<b>1060APS120AC</b> 1060APS240AC	120 VAC 220VAC
2 Pole Normally Open	<b>2060APS120AC</b> 2060APS240AC	120 VAC 220 VAC
3 Pole Normally Open	<b>3060APS120AC</b> 3060APS240AC	120 VAC 220 VAC

**Bold numbers indicate stocked items**

Please contact us for items with non-standard amperages or coil voltages. Many configurations available