



ASB Heating Elements Ltd.

Bulb & Capillary Control

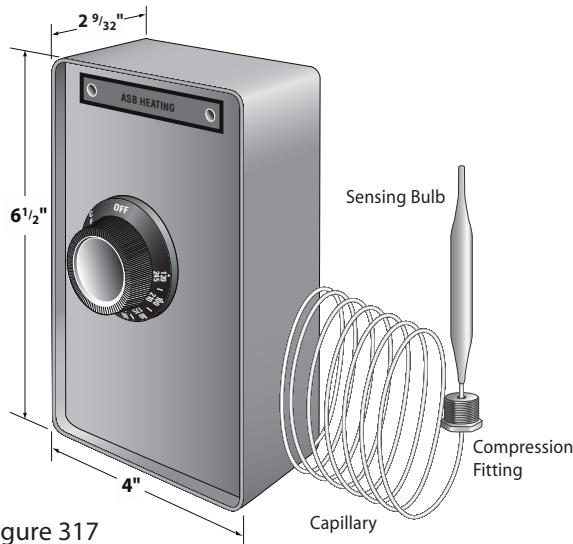


Figure 317

Temperature Control

Contacts open on temperature rise

240 vac or less, 25 amp
DPST
7 feet capillary
differential +/- 5% of scale range

Cat No	Temperature Range		Bulb Dimensions		3/8" compression fitting	bulb & capillary material
	C°	F°	diameter	length		
G4-14467	-16, +40	0-100	3/8	6	included	copper
G4-14302	10-120	50-250	3/8	3 1/4	included	copper
G4-14304	70-280	160-540	3/8	3 1/2	included	nickel plated
G4-14292	10-120	50-250	3/16	10 3/16	extra	copper
G4-14293	70-280	160-540	3/16	10 7/8	extra	copper
G4-14294	160-370	320-700	3/16	7 3/8	extra	stainless steel

Temperature Control

Contacts close on temperature rise
(cooling control)

240 vac or less, 25 amp
DPST
7 feet capillary
differential +/- 5% of scale range

Cat No	Temperature Range		Bulb Dimensions		3/8" compression fitting	bulb & capillary material
	C°	F°	diameter	length		
G2A-72417	10-120	50-250	3/8	3 1/4	included	nickel plated

Temperature Control

Contacts open on temperature rise

600 vac or less, 15 amp
TPST
7 feet capillary
differential +/- 5% of scale range

Cat No	Temperature Range		Bulb Dimensions		3/8" compression fitting	bulb & capillary material
	C°	F°	diameter	length		
G4A-633	10-120	50-250	3/16	10 3/16	extra	copper
G4A-634	70-280	160-540	3/16	10 7/8	extra	copper
G4A-635	160-370	320-700	3/16	7 3/8	extra	stainless steel

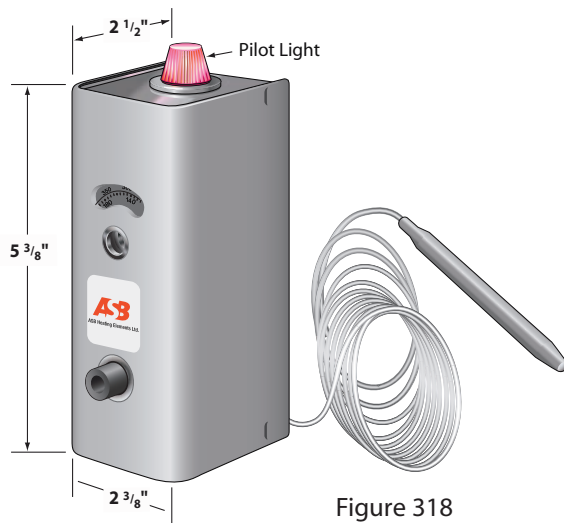


Figure 318

High Limit Control

Contacts open on temperature rise

240 vac or less, 22 amp
SPST
manual push to reset button
red pilot light
7 feet capillary
differential +/- 5% of scale range

Cat No	Temperature Range		Bulb Dimensions		3/8" compression fitting	bulb & capillary material
	C°	F°	diameter	length		
ASB-260	40-260	100-500	5/16	3	extra	nickel plated
ASB-340	180-340	360-640	5/16	3	extra	nickel plated



ASB Heating Elements Ltd.

Bulb & Capillary Control

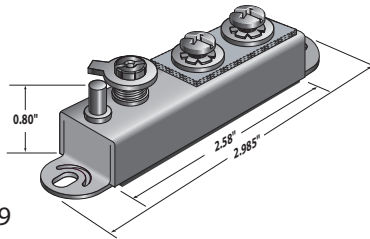


Figure 319

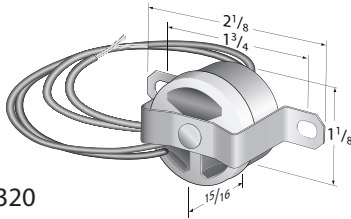


Figure 320

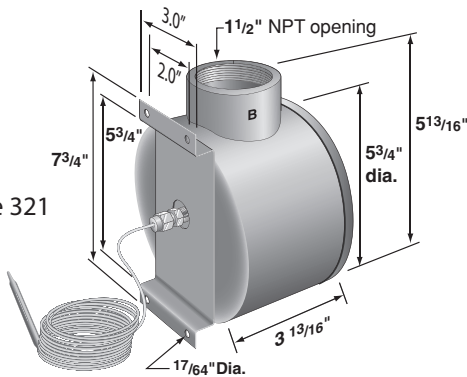


Figure 321

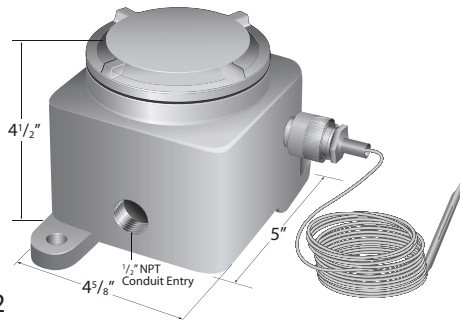


Figure 322

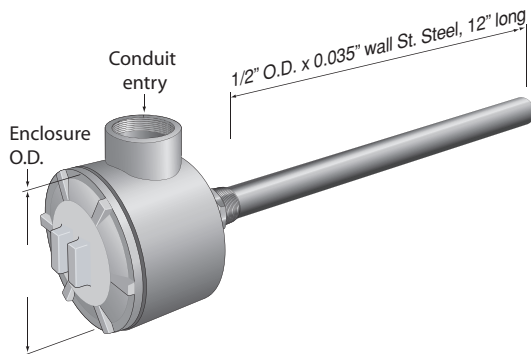


Figure 323

Surface Mount Control

Contacts open on temperature rise

Model number B1200

75° to 600°F
240 vac, maximum
1500 watts, maximum

Control Panel Thermostat

Model number DPC30525

10 amp 120 vac
5 amp 240 vac
Temperature setting
opens at 45°F ± 5°
closes at 35°F ± 6°
12" lead wires, rated at 105°F

Moisture resistant (Type 4 Enclosure)

240 vac or less, 25 amp

Contacts open on temperature rise

DPST

7 feet capillary

differential +/- 5% of scale range

Cat No	Temperature Range		Bulb Dimensions		3/8" compression fitting	bulb & capillary material
	C°	F°	diameter	length		
G4-14467MR	-16, +40	0-100	3/8	6	included	copper
G4-14302MR	10-120	50-250	3/8	3 1/4	included	copper
G4-14304MR	70-280	160-540	3/8	3 1/2	included	nickel plated
G4-14292MR	10-120	50-250	3/16	10 3/16	extra	copper
G4-14293MR	70-280	160-540	3/16	10 7/8	extra	copper
G4-14294MR	160-370	320-700	3/16	7 3/8	extra	stainless steel

Explosion Proof Enclosure

Contacts open on temperature rise

Class I, Group B, C&D / Class II, Group E, F&G

240 vac or less, 25 amp

DPST

7 feet capillary

differential +/- 5% of scale range

Cat No	Temperature Range		Bulb Dimensions		3/8" compression fitting	bulb & capillary material
	C°	F°	diameter	length		
G4-14310	10-120	50-250	1/4	5 1/2	extra	nickle plated

ER Series - Hazardous Location Thermostats

MR Series - Moisture Resistant (Type 4)

Class 1, Division 1

Group C & D

Haz Loc	Moisture Resistant	Temperature Range C°	Volts	Amps	Type	Connection	Enclosure O.D.	Conduit Entry
ERG1-40SP	MRG1-40SP	-16 to 40°	240	30	SPST	1/2" NPT	5 7/8	1 1/2
ERG1-120SP	MRG1-120SP	10 to 120°	240	30	SPST	1/2" NPT	5 1/2	1 1/4
ERG1-280SP	MRG1-280SP	70 to 280°	240	30	SPST	1/2" NPT	5 7/8	1 1/2
ERG4-370DP	MRG4-370DP	160 to 370°	240	25	DPST	1/2" NPT	5 7/8	1 1/2

Other Available Options

Group A and/or B

600 volts 3 phase 15 amp