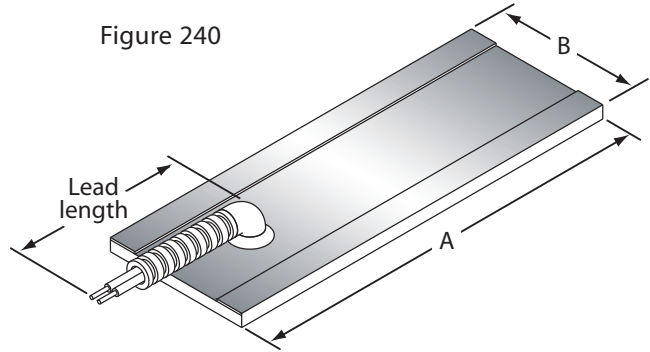
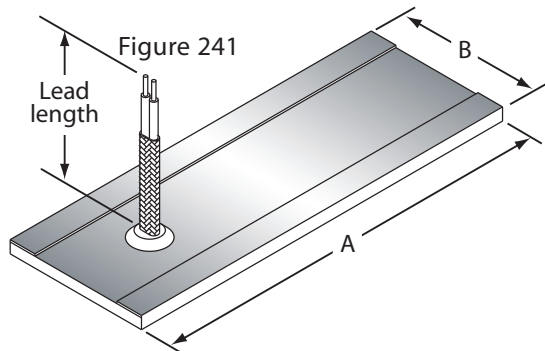


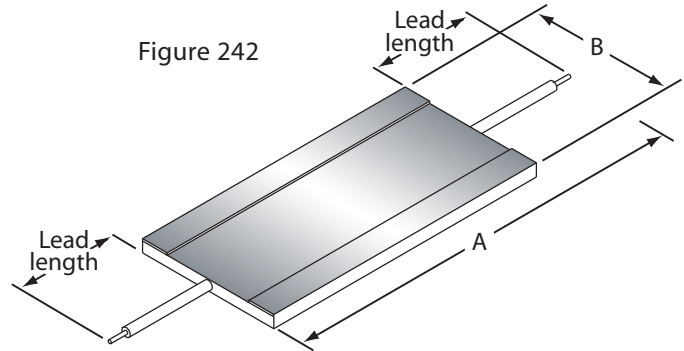
Fiberglass Leads- Specify location and length of leads at time of order.



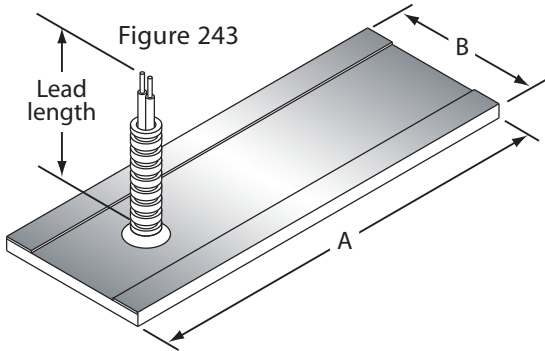
90 Degree Armor Cable with Fiberglass Leads- Specify location and length of leads at time of order.



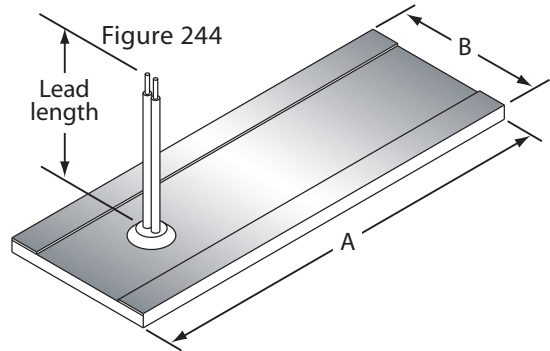
Metal Braid with Fiberglass Leads- Specify location and length of leads at time of order.



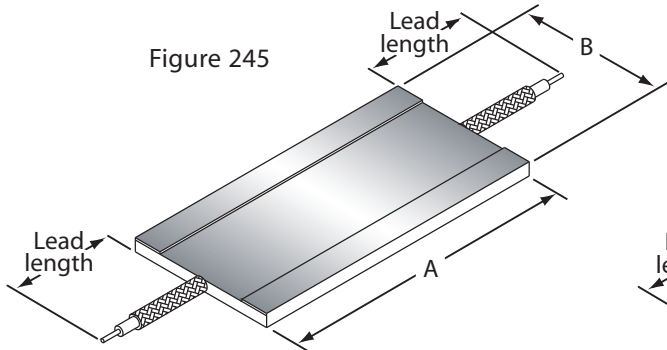
Fiberglass Leads with Protective Sleeve- Leads exit midway of either edge. Specify length at time of order



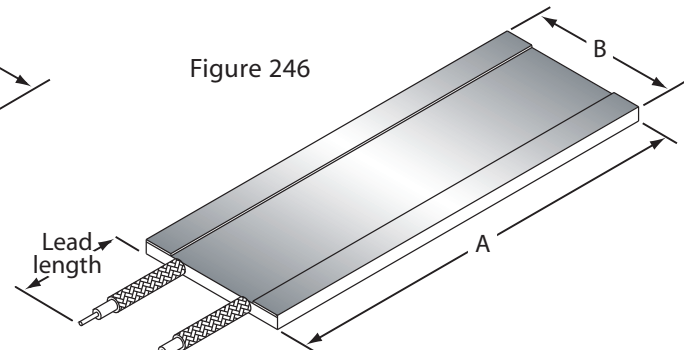
Armor Cable with Fiberglass Leads- Specify location and length of leads at time of order.



Fiberglass Leads with Protective Sleeve- Leads exit from any edge of heater. Specify length at time of order



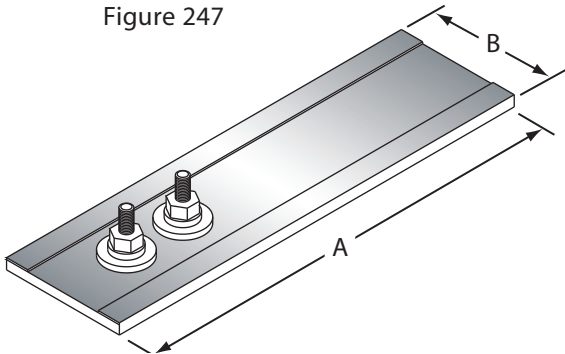
Fiberglass Leads with Metal Braid- Leads exit midway of either edge. Specify length at time of order



Fiberglass Leads with Metal Braid- Leads exit from any edge of heater. Specify length at time of order

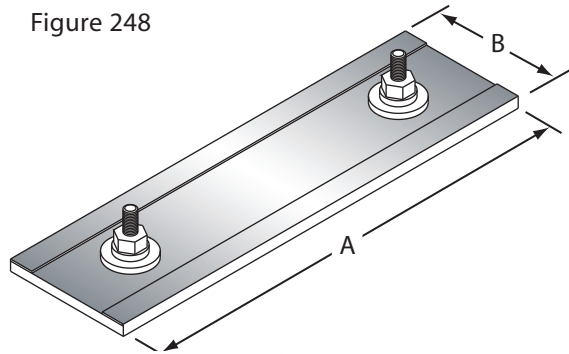


Figure 247



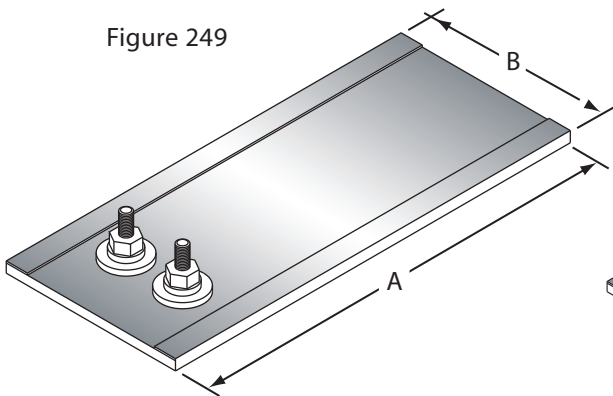
10-32 Threaded Terminals - Minimum width required- 7/8"

Figure 248



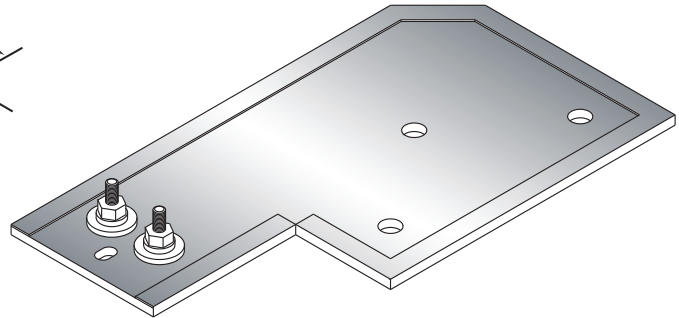
10-32 Threaded Terminals - Minimum width required- 7/8". Specify location at time of order

Figure 249



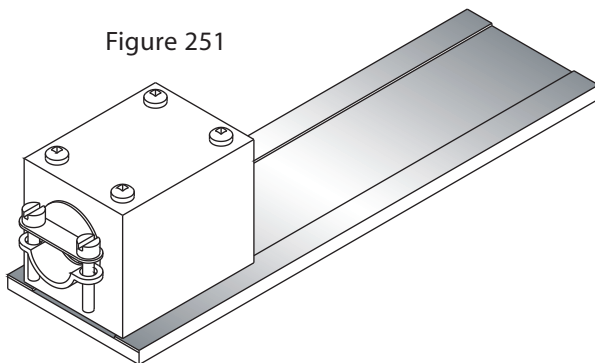
10-32 Threaded Terminals - Minimum width required 2.00"-Specify location at time of order

Figure 250



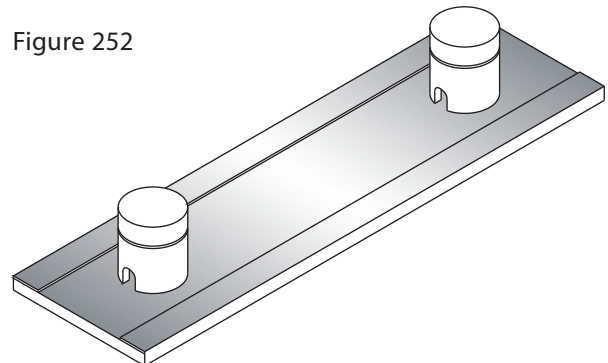
Mica strip heaters are available in irregular shapes and can be made to conform to curved surfaces. Mounting holes aid in clamping the heaters to any surface. Holes and cutouts are useful for the installation of thermocouples and for clearance of bolts and other obstructions

Figure 251



MTC
Metal Terminal Box

Figure 252



CTP
Ceramic Terminal Posts are available on all threaded terminals.