



ASB Heating Elements Ltd.

# 1" NPT Screw Plug Immersion Heater

## Standard (SP series)

General Purpose Enclosure  
no thermostat

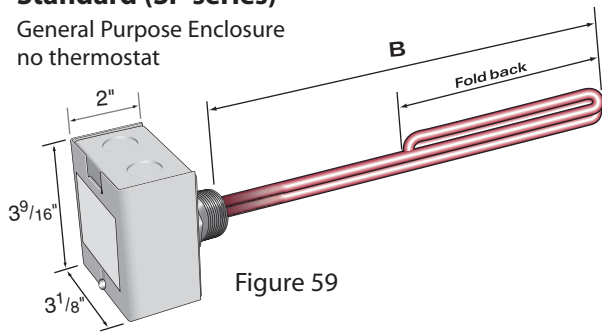


Figure 59

## With thermostat (ASP series)

General Purpose Enclosure  
with thermostat

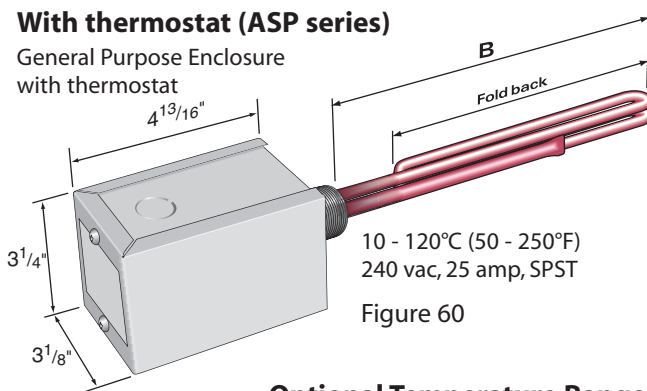


Figure 60

## Optional Temperature Ranges

- 16 to +40°C (0-100°F)
- 70-280°C (160-540°F)

## Moisture Resistant or Hazardous Location - SP series

Moisture Resistant Enclosure (add suffix MR)  
Hazardous Location (Explosion Resistant - add suffix ER)  
Non-Thermostat version

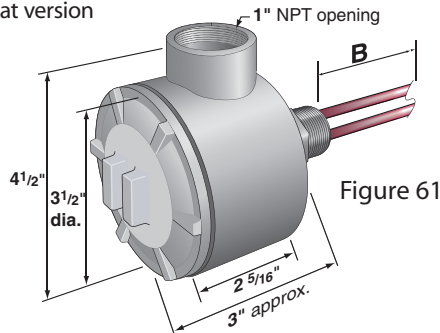


Figure 61

## Moisture Resistant or Hazardous Location - ASP series

Moisture Resistant Enclosure (add suffix MR)  
Hazardous Location (Explosion Resistant - add suffix ER)  
Thermostat included version

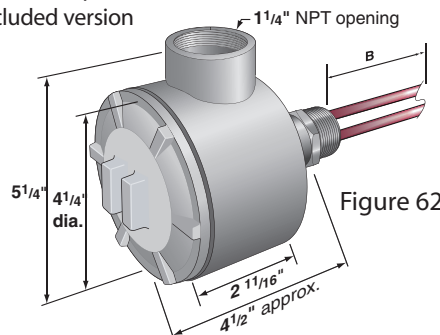


Figure 62

## 80 watts/in<sup>2</sup> Copper Sheath

Typically to heat:

1" brass screw plug  
1 element - up to 240 volts

municipal water

(specify voltage when ordering)

watts	immersed length B dim.	fold back length	catalogue number		net weight (lb)
			Fig. 59 standard	Fig. 60 with thermostat	
500	5		SPC-0500	ASPC-0500	2
750	6 7/8		SPC-0750	ASPC-0750	2
1000	6 7/8		SPC-1000	ASPC-1000	2
1250	10		SPC-1250	ASPC-1250	2
1500	10		SPC-1500	ASPC-1500	2
2000	7 1/2	6 1/16	SPC-2000	ASPC-2000	3
3000	10 9/16	8 7/8	SPC-3000	ASPC-3000	3
4500	15 1/8	13 15/16	SPC-4500	ASPC-4500	3
5000	16 5/8	15 7/8	SPC-5000	ASPC-5000	3

## 25 watts/in<sup>2</sup> Incoloy Sheath

Typically to heat:

1" steel screw plug  
1 element - up to 240 volts

light oils

mild caustic solution

(specify voltage when ordering)

mild alkaline solution

watts	immersed length B dim.	fold back length	catalogue number		net weight (lb)
			Fig. 59 standard	Fig. 60 with thermostat	
500	8 7/8	3	SPA-0500	ASPA-0500	1
750	10	6 1/4	SPA-0750	ASPA-0750	2
1000	11 7/8	9 1/4	SPA-1000	ASPA-1000	2
1500	18	13 1/2	SPA-1500	ASPA-1500	2
2000	22	19 1/2	SPA-2000	ASPA-2000	3

## 12 watts/in<sup>2</sup> Incoloy Sheath

Typically to heat:

1" steel screw plug  
1 element - up to 240 volts

hydraulic oils

heavy oils

(specify voltage when ordering)

mild caustic solution

mild alkaline solution

watts	immersed length B dim.	fold back length	catalogue number		net weight (lb)
			Fig. 59 standard	Fig. 60 with thermostat	
300	8 7/8	5	SPAL-0300	ASPAL-0300	1
500	11 7/8	10 1/2	SPAL-0500	ASPAL-0500	2
750	18	14 1/2	SPAL-0750	ASPAL-0750	2
1000	22	19	SPAL-1000	ASPAL-1000	3