



1 1/4" NPT Screw Plug Immersion Heater

Standard (SP series)

General Purpose Enclosure
no thermostat

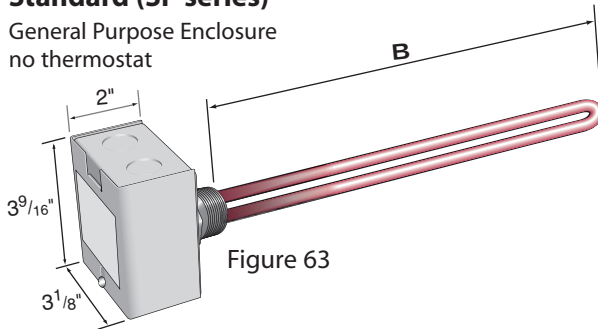


Figure 63

With thermostat (ASP series)

General Purpose Enclosure
with thermostat

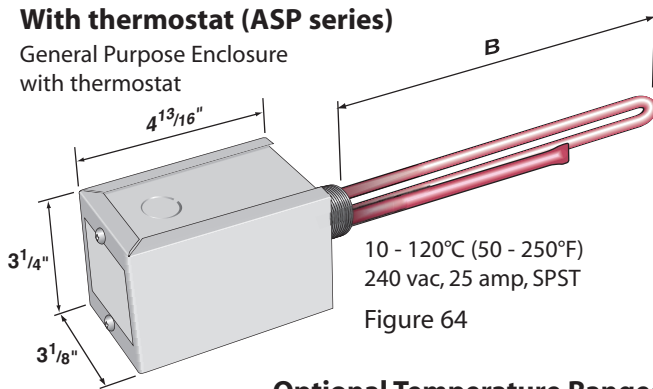


Figure 64

Optional Temperature Ranges

- 16 to +40°C (0-100°F)
- 70-280°C (160-540°F)

Moisture Resistant or Hazardous Location - SP series

Moisture Resistant Enclosure (add suffix MR)
Hazardous Location (Explosion Resistant add suffix ER)
Non-Thermostat version

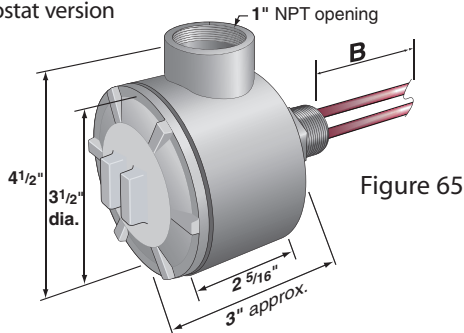


Figure 65

Moisture Resistant or Hazardous Location - ASP series

Moisture Resistant Enclosure (add suffix MR)
Hazardous Location (Explosion Resistant add suffix ER)
Thermostat included version

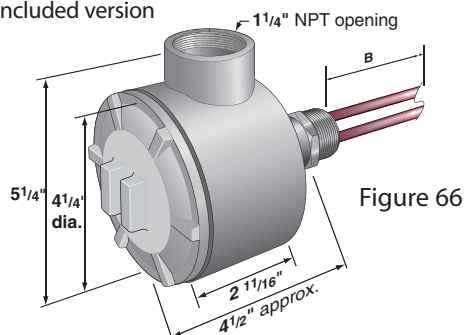


Figure 66

50-60 watts/in² Copper Sheath

Typically to heat:

1 1/4" brass screw plug
1 or 2 elements - up to 240 volts
municipal water
(specify voltage when ordering)

watts	immersed length B dim.	no. of elements	catalogue number Fig. 63 standard	catalogue number Fig. 64 with thermostat	net weight (lb)
750	7 1/2	1	SPC-1007	ASPC-1007	3
1000	9 1/2	1	SPC-1010	ASPC-1010	3
1500	7 1/2	2	SPC-1015	ASPC-1015	4
2000	9 1/2	2	SPC-1020	ASPC-1020	4
3000	13 1/2	2	SPC-1030	ASPC-1030	4
5000	17 1/2	2	SPC-1050	ASPC-1050	5

25 watts/in² Steel Sheath

Typically to heat:

1 1/4" steel screw plug
1 or 2 elements - up to 240 volts
light oils
(specify voltage when ordering)

watts	immersed length B dim.	no. of elements	catalogue number Fig. 63 standard	catalogue number Fig. 64 with thermostat	net weight (lb)
500	11	1	SPO-1005	ASPO-1005	3
750	8 1/2	2	SPO-1007	ASPO-1007	4
1000	11	2	SPO-1010	ASPO-1010	4
1500	16 1/4	2	SPO-1015	ASPO-1015	4
2000	22 3/8	2	SPO-1020	ASPO-1020	5
2500	27	2	SPO-1025	ASPO-1025	5

12 watts/in² Steel Sheath

Typically to heat:

1 1/4" steel screw plug
1 or 2 elements - up to 240 volts
hydraulic oils
heavy oils
(specify voltage when ordering)

watts	immersed length B dim.	no. of elements	catalogue number Fig. 63 standard	catalogue number Fig. 64 with thermostat	net weight (lb)
250	11	1	SPOL-1002	ASPOL-1002	3
500	11	2	SPOL-1005	ASPOL-1005	4
750	16 1/4	2	SPOL-1007	ASPOL-1007	4
1000	22 3/8	2	SPOL-1010	ASPOL-1010	5
1250	27	2	SPOL-1012	ASPOL-1012	5